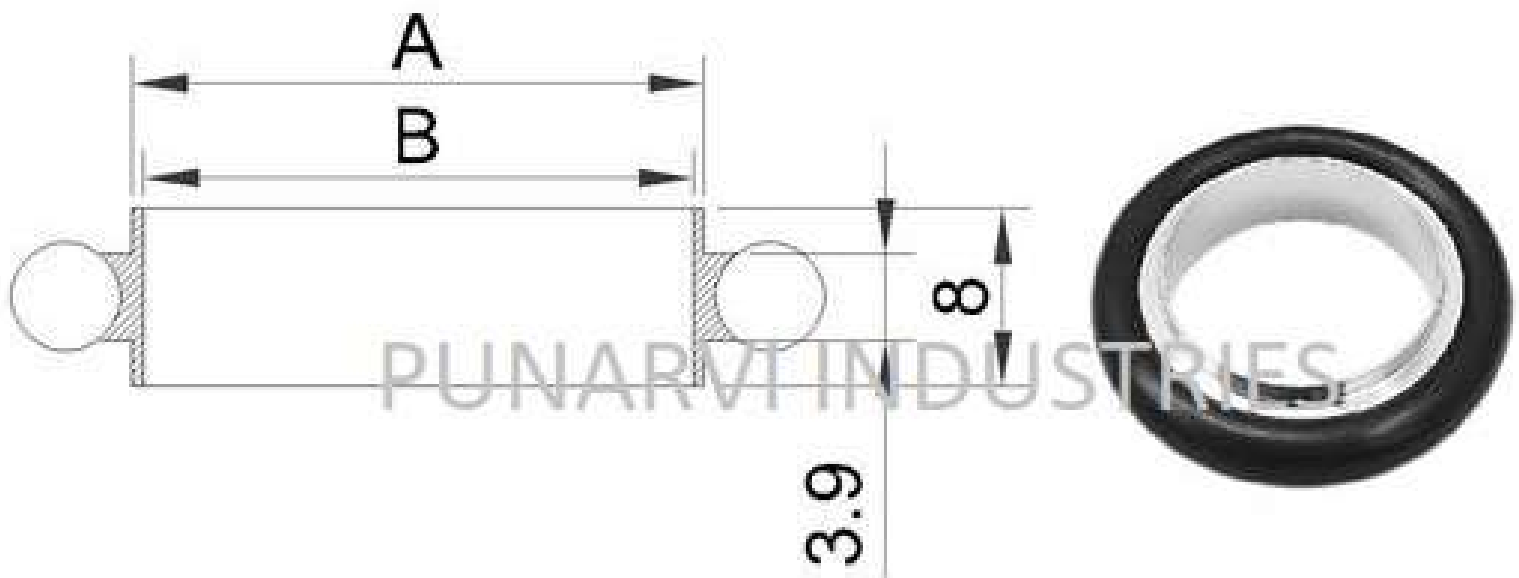


KF O-RING HOLDER DIMENSION



| Flange Dimension | A | B |
|------------------|------|------|
| NW10 | 12mm | 10mm |
| NW16 | 17mm | 16mm |
| NW25 | 26mm | 25mm |
| NW40 | 41mm | 40mm |
| NW50 | 52mm | 50mm |